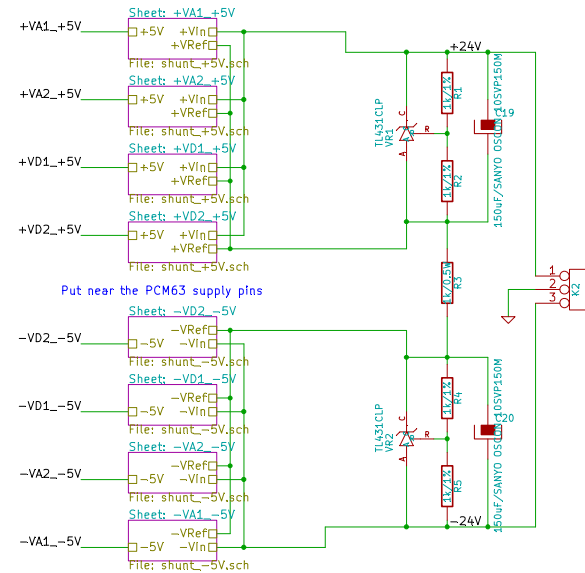
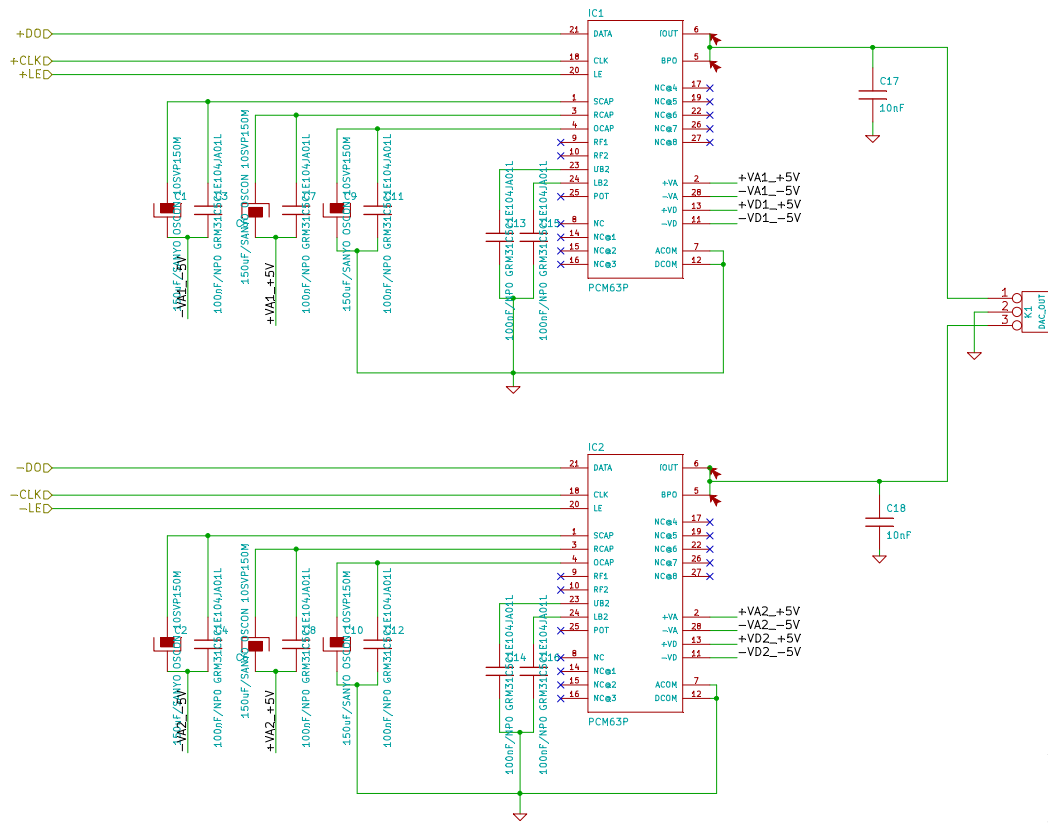


For DIY only. No commercial use allowed		
Thierry GRAUSS		
File: DACBoard.sch		
Sheet: /		
Title: PCM63 DAC board with relocking unit		
Size: A4	Date: 27 may 2011	Rev: 0
KiCad E.D.A.	eeschema (2011-04-29 BZR 2986)-stable	Id: 1/26



Thierry GRAUSS

File: DAC.sch
Sheet: /DAC-RIGHT/

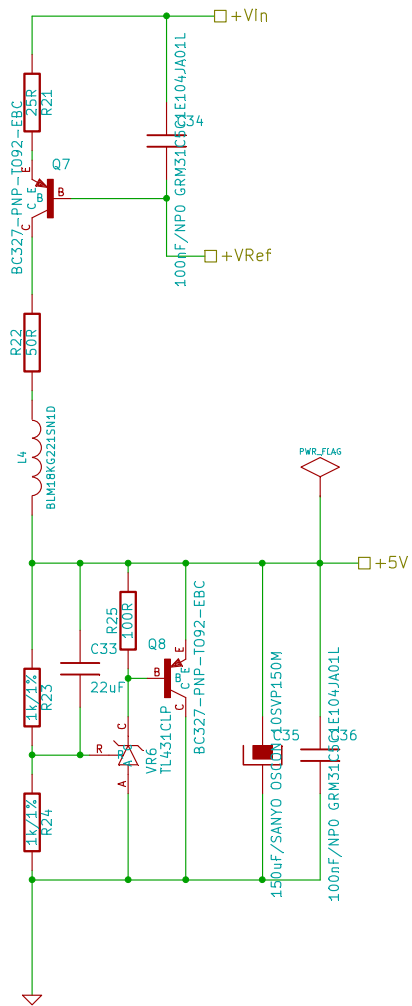
Title: DAC

Size: A3 Date: 27 may 2011

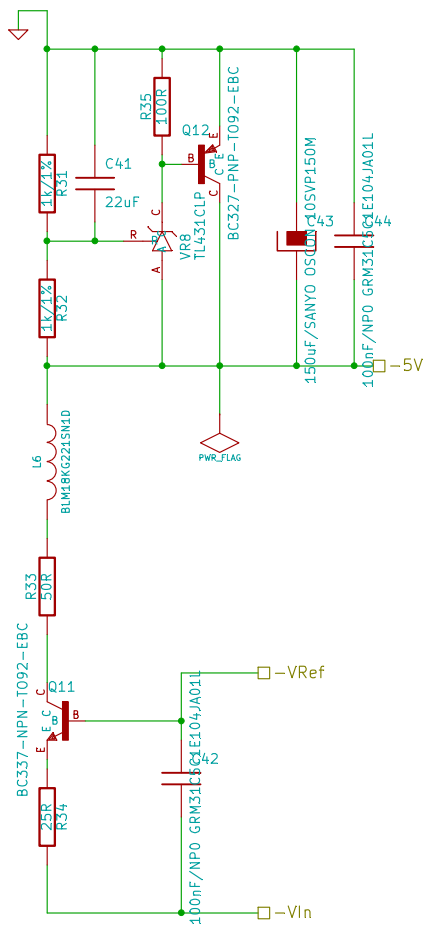
Rev: 0

KiCad E.D.A. eeschema (2011-04-29 BZR 2986)-stable

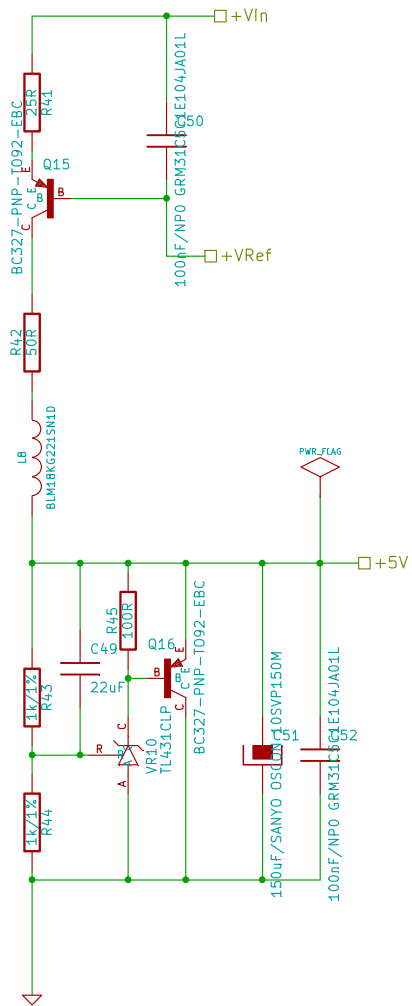
Id: 2/26



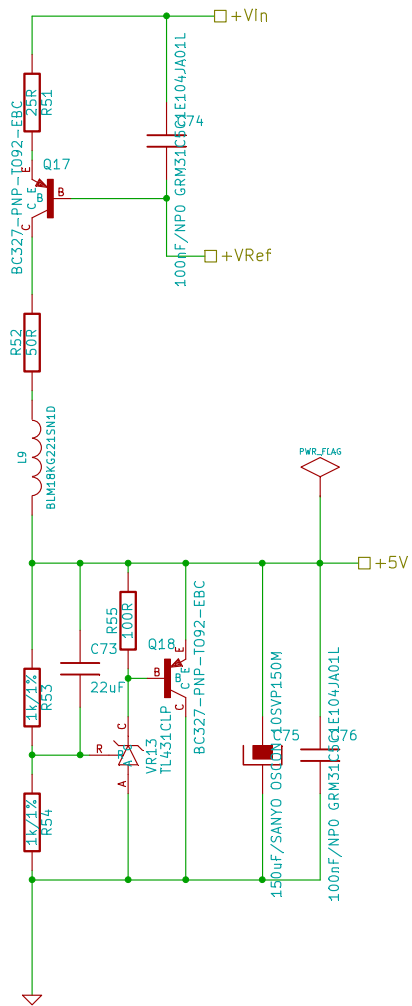
Thierry GRAUSS		
File: shunt_+5V.sch		
Sheet: /DAC-RIGHT/+VD2_+5V/		
Title: Shunt regulator +5V		
Size: A4	Date: 27 may 2011	Rev: 0
KiCad E.D.A. eeschema (2011-04-29 BZR 2986)-stable		Id: 6/26



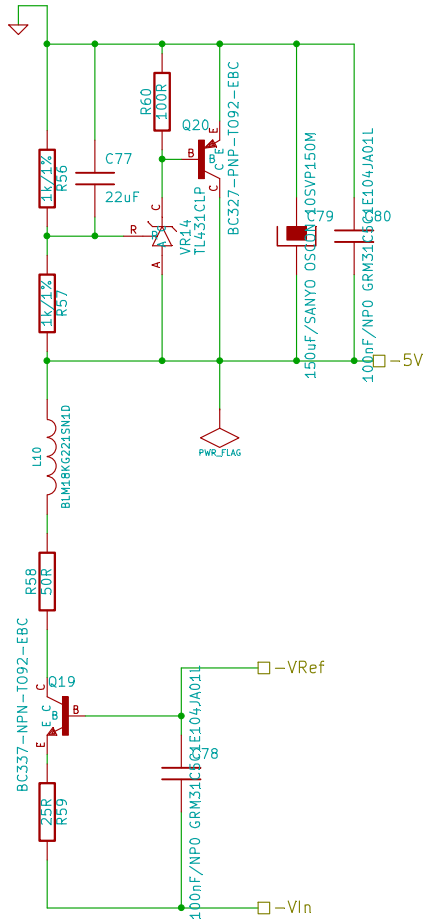
Thierry GRAUSS		
File: shunt_-5V.sch		
Sheet: /DAC-RIGHT/-VA2_-5V/		
Title: Shunt regulator -5V		
Size: A4	Date: 27 may 2011	Rev: 0
KiCad E.D.A. eeschema (2011-04-29 BZR 2986)-stable		Id: 8/26



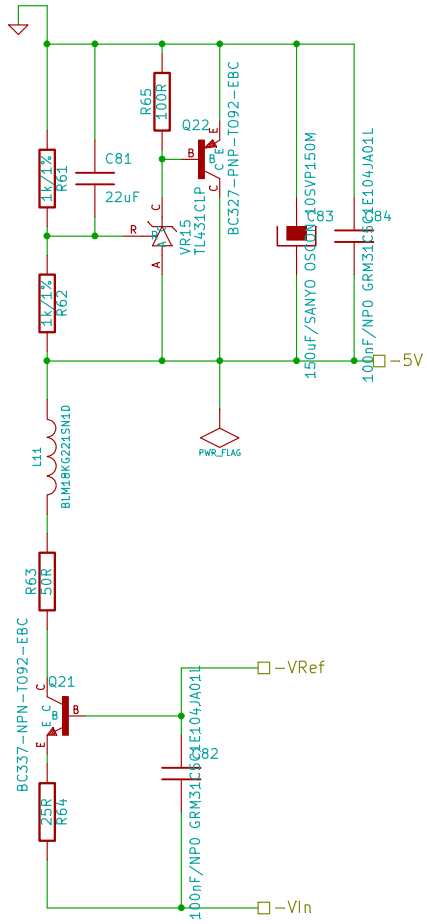
Thierry GRAUSS		
File: shunt_+5V.sch		
Sheet: /DAC-RIGHT/+VA1_+5V/		
Title: Shunt regulator +5V		
Size: A4	Date: 27 may 2011	Rev: 0
KiCad E.D.A. eeschema (2011-04-29 BZR 2986)-stable		Id: 10/26



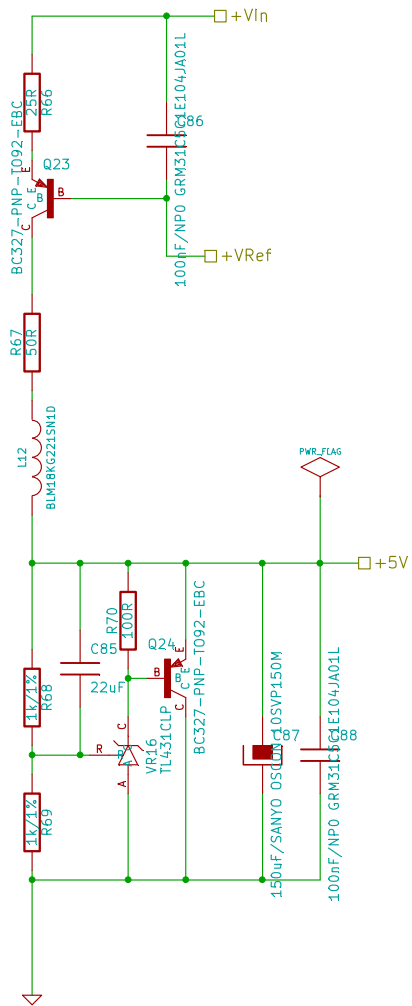
Thierry GRAUSS		
File: shunt_+5V.sch		
Sheet: /DAC-LEFT/+VD1_+5V/		
Title: Shunt regulator +5V		
Size: A4	Date: 27 may 2011	Rev: 0
KiCad E.D.A.	eeschema (2011-04-29 BZR 2986)-stable	Id: 12/26



Thierry GRAUSS		
File: shunt_-5V.sch		
Sheet: /DAC-LEFT/-VD1_-5V/		
Title: Shunt regulator -5V		
Size: A4	Date: 27 may 2011	Rev: 0
KiCad E.D.A. eeschema (2011-04-29 BZR 2986)-stable		Id: 13/26



Thierry GRAUSS		
File: shunt_-5V.sch		
Sheet: /DAC-LEFT/-VD2_-5V/		
Title: Shunt regulator -5V		
Size: A4	Date: 27 may 2011	Rev: 0
KiCad E.D.A. eeschema (2011-04-29 BZR 2986)-stable		Id: 14/26



Thierry GRAUSS

File: shunt_+5V.sch

Sheet: /DAC-LEFT/+VD2_+5V/

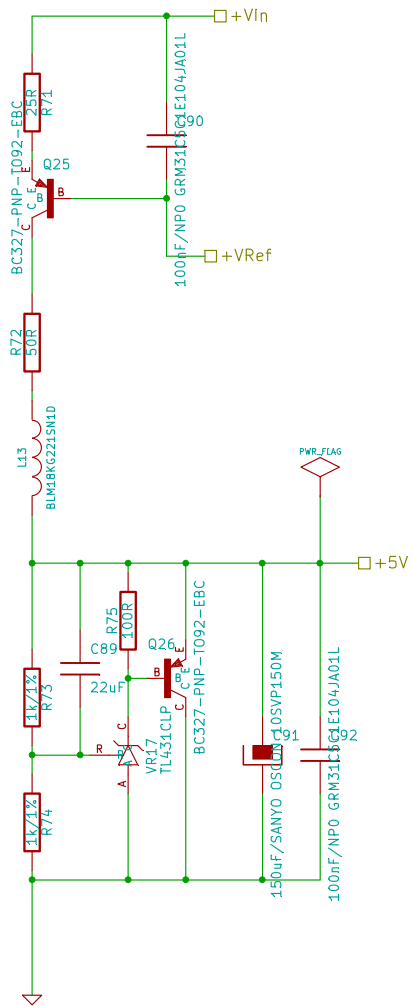
Title: Shunt regulator +5V

Size: A4 Date: 27 may 2011

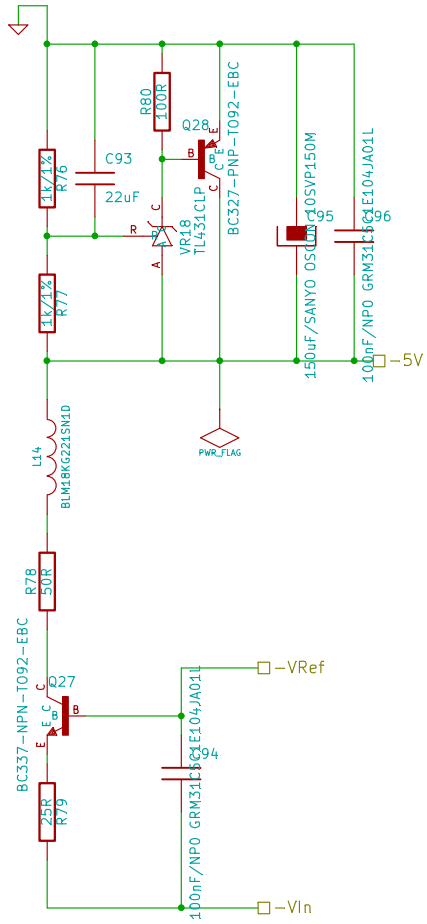
Rev: 0

KiCad E.D.A. eeschema (2011-04-29 BZR 2986)-stable

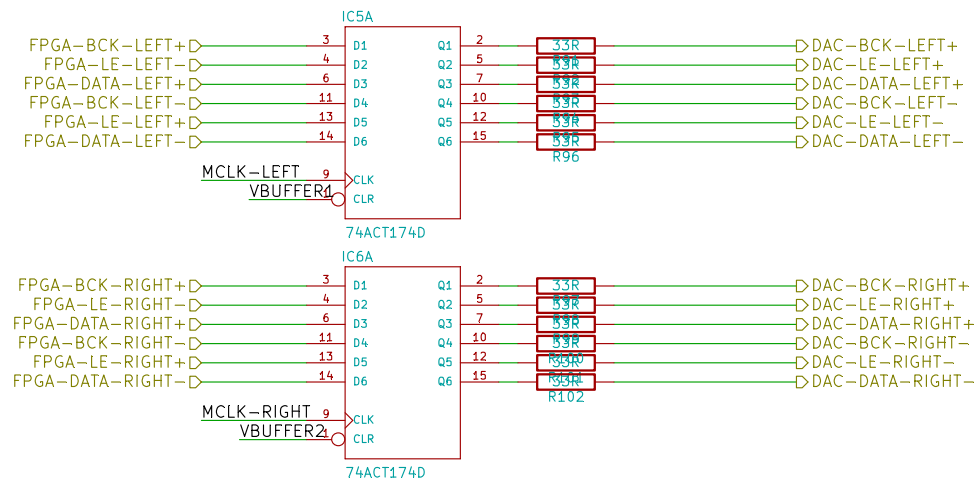
Id: 15/26



Thierry GRAUSS		
File: shunt_+5V.sch		
Sheet: /DAC-LEFT/+VA2_+5V/		
Title: Shunt regulator +5V		
Size: A4	Date: 27 may 2011	Rev: 0
KiCad E.D.A. eeschema (2011-04-29 BZR 2986)-stable		Id: 16/26

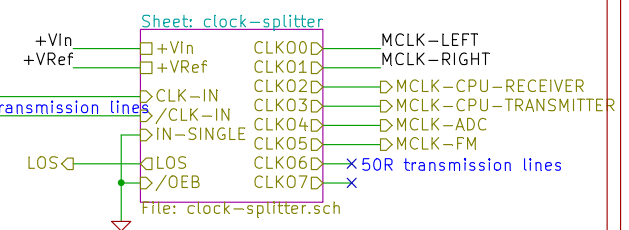
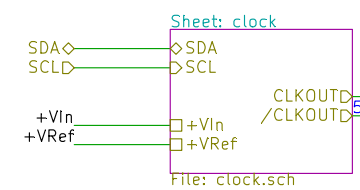
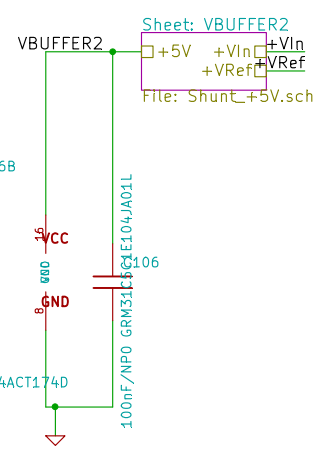
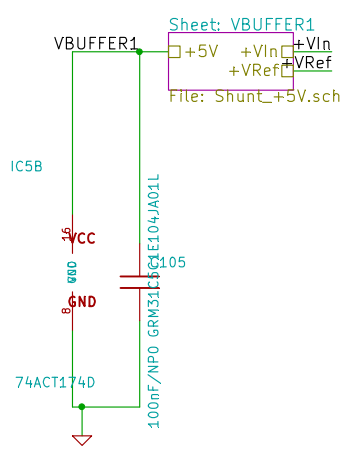
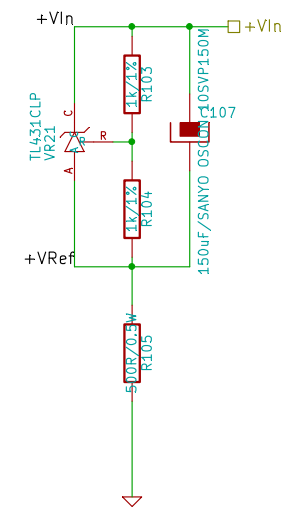


Thierry GRAUSS		
File: shunt_-5V.sch		
Sheet: /DAC-LEFT/-VA2_-5V/		
Title: Shunt regulator -5V		
Size: A4	Date: 27 may 2011	Rev: 0
KiCad E.D.A. eeschema (2011-04-29 BZR 2986)-stable		Id: 17/26

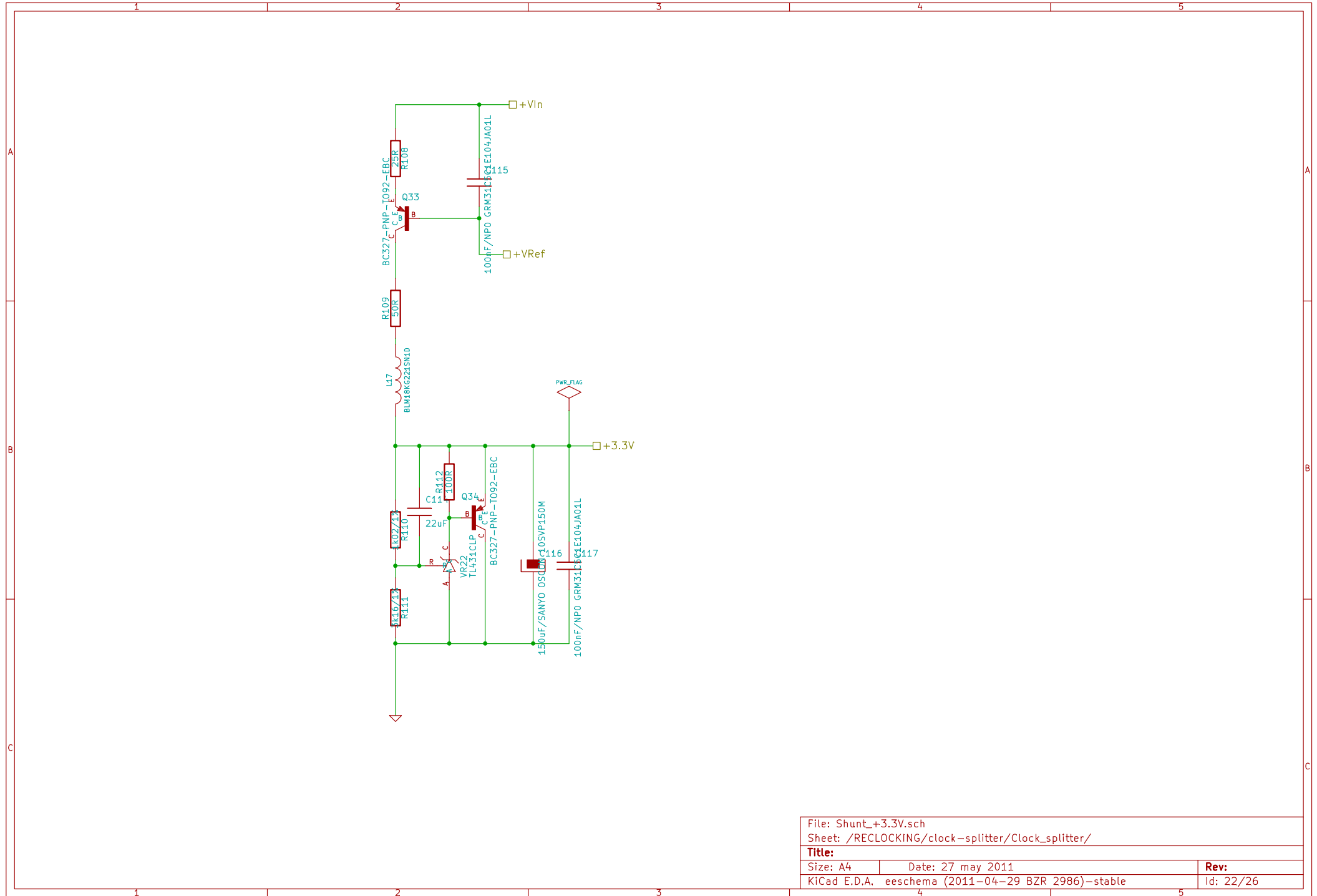


Remplacer les XOR par les buffer quand utilise FPGA
XOR implementes dans le FPGA

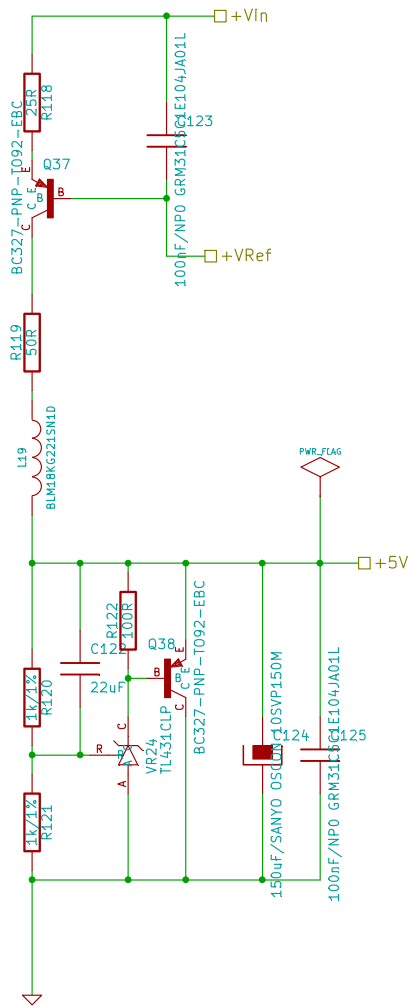
MCLK-LEFT et MCLK-RIGHT = 2xBCLK !!!!!



Thierry GRAUSS		
File: RECLOCKING.sch		
Sheet: /RECLOCKING/		
Title: Reclocking		
Size: A4	Date: 27 may 2011	Rev: 0
KiCad E.D.A. eeschema (2011-04-29 BZR 2986)-stable		Id: 20/26

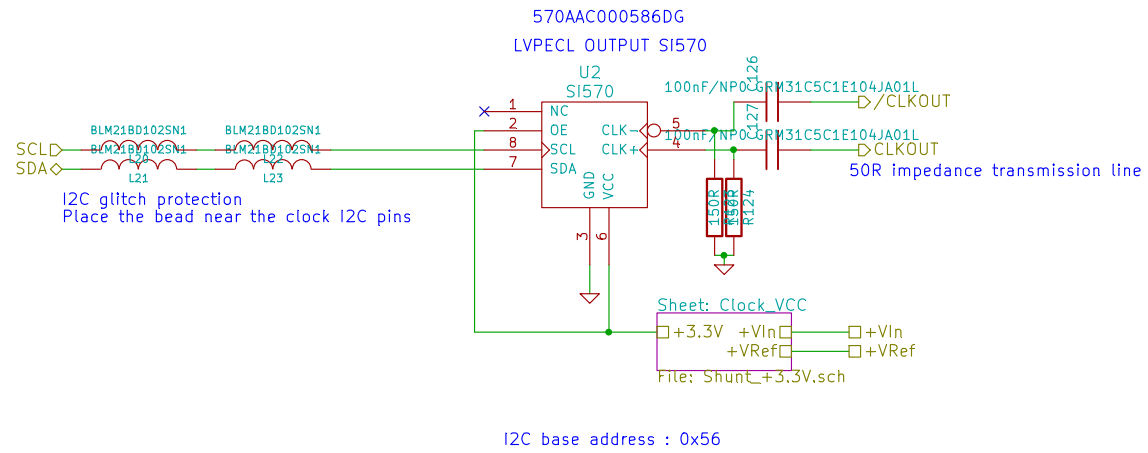


File: Shunt_+3.3V.sch		
Sheet: /RELOCKING/clock-splitter/Clock_splitter/		
Title:		
Size: A4	Date: 27 may 2011	Rev:
KiCad E.D.A. eeschema (2011-04-29 BZR 2986)-stable		Id: 22/26



Thierry GRAUSS		
File: shunt_+5V.sch		
Sheet: /RELOCKING/VBUFFER1/		
Title: Shunt regulator +5V		
Size: A4	Date: 27 may 2011	Rev: 0
KiCad E.D.A. eeschema (2011-04-29 BZR 2986)-stable		Id: 24/26

<http://search.digikey.com/scripts/DkSearch/dksus.dll?Detail&name=570AAC000586DG-ND>



Thierry GRAUSS		
File: clock.sch		
Sheet: /RELOCKING/clock/		
Title: Ultra low jitter clock		
Size: A4	Date: 27 may 2011	Rev: 0
KiCad E.D.A. eeschema (2011-04-29 BZR 2986)-stable		Id: 25/26

